



Product Datasheet
Lens Series
Last update: 21/1/2014

DETAILS

Product Number: BK-LED-107W-1-A340
Type: Lens
Color: Clear
Diameter: 22.70mm
Height: 12.00mm
Shape: Round
Optic Material: PMMA
Holder Material: PC
ROHS Compliant: Yes
Date Updated: 8/1/2014

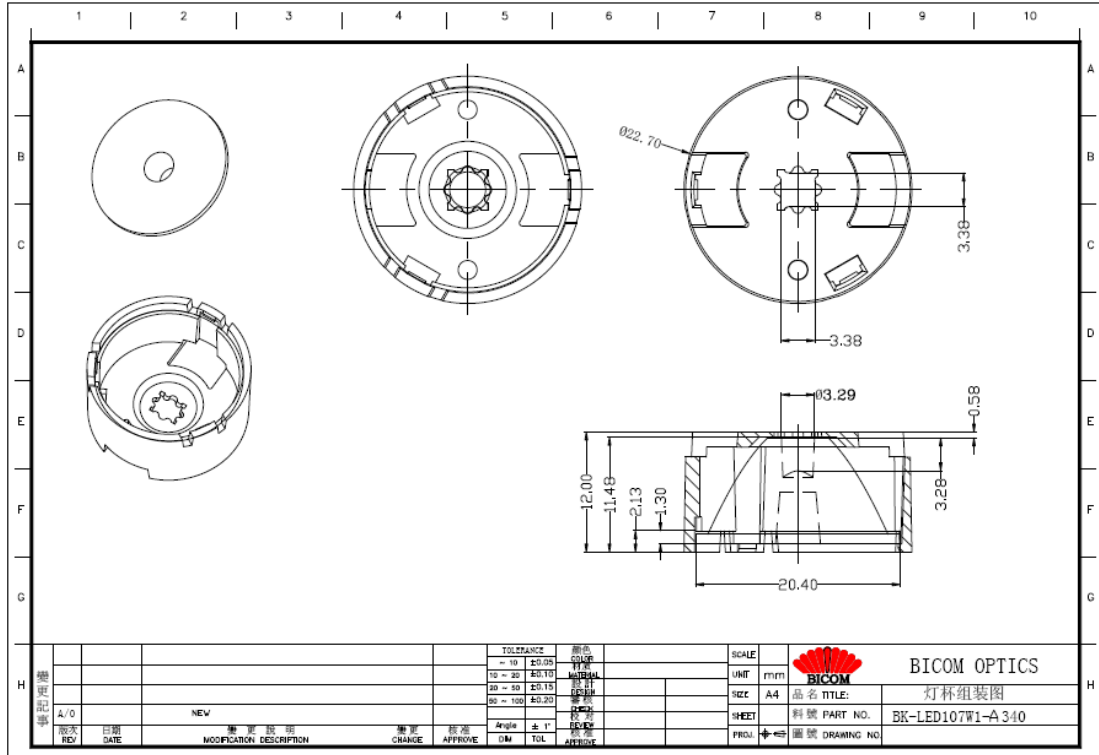


Optical properties

LED	FWHM (50%)	FWHM (10%)	Efficiency	cd/lm	Beam Type
XLamp XP-E	9.0°	15.9°	90.0%	30.43	Narrow

Shenzhen Baikang Optical Co.,Ltd.
Add: B4 Building, Xinjianxing Industrial Park,
Fengxin Road, Guangming District, Shenzhen
Mail: 518107
www.bicomoptics.com

Skype: szbaikang
Fax: +86 755 82033711
Phone: +86 755 29199996
MSN: szbaikang@hotmail.com
E-mail: sales@bicomoptics.com

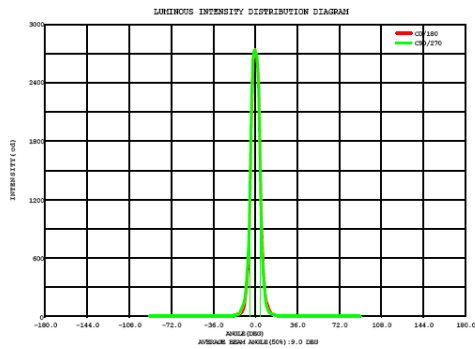
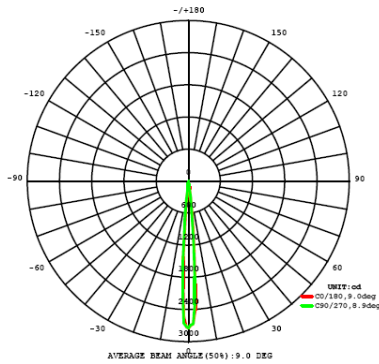


Shenzhen Baikang Optical Co.,Ltd.
 Add: B4 Building, Xinjianxing Industrial Park,
 Fengxin Road, Guangming District, Shenzhen
 Mail: 518107
 www.bicomoptics.com

Skype: szbaikang
 Fax: +86 755 82033711
 Phone: +86 755 29199996
 MSN: szbaikang@hotmail.com
 E-mail: sales@bicomoptics.com

XLamp XP-E

I: 0.35A



Intensity data:(deg , cd) C0/180

A	I	A	I	A	I	A	I	A	I	A	I
-90.0	0.1107	-58.0	1.194	-26.0	3.862	6.0	903.2	38.0	1.865	70.0	0.8401
-88.0	0.1351	-56.0	1.256	-24.0	4.478	8.0	330.9	40.0	1.734	72.0	0.7698
-86.0	0.2026	-54.0	1.326	-22.0	5.765	10.0	151.6	42.0	1.621	74.0	0.6691
-84.0	0.2720	-52.0	1.397	-20.0	7.676	12.0	74.83	44.0	1.502	76.0	0.5437
-82.0	0.3469	-50.0	1.454	-18.0	9.855	14.0	35.30	46.0	1.406	78.0	0.4811
-80.0	0.4164	-48.0	1.521	-16.0	17.88	16.0	21.54	48.0	1.340	80.0	0.4244
-78.0	0.4936	-46.0	1.554	-14.0	26.55	18.0	13.05	50.0	1.290	82.0	0.3664
-76.0	0.6043	-44.0	1.652	-12.0	32.82	20.0	8.072	52.0	1.257	84.0	0.3019
-74.0	0.6896	-42.0	1.716	-10.0	75.80	22.0	6.070	54.0	1.226	86.0	0.2317
-72.0	0.7507	-40.0	1.799	-8.0	208.3	24.0	5.012	56.0	1.200	88.0	0.1633
-70.0	0.8456	-38.0	1.922	-6.0	516.0	26.0	3.943	58.0	1.155	90.0	0.1078
-68.0	0.9007	-36.0	2.071	-4.0	1421	28.0	3.456	60.0	1.092		
-66.0	0.9553	-34.0	2.325	-2.0	2525	30.0	3.185	62.0	1.064		
-64.0	0.9872	-32.0	2.849	0.0	2739	32.0	2.847	64.0	0.9888		
-62.0	1.036	-30.0	3.220	2.0	2663	34.0	2.575	66.0	0.9543		
-60.0	1.124	-28.0	3.605	4.0	1931	36.0	2.113	68.0	0.9630		

Electricity Parameter:

Voltage : 3.000 V Current : 0.3500 A
 Power P: 1.050 W Power Factor: 1.000

Optical Parameter(Distance:5.980m) :

Luminous flux = 90.46 lm Efficiency: Eff=86.15 lm/W
 Avg. Beam angle: @ (25%):12.0deg @ (50%):9.0deg @ (75%):6.7deg @ (10%):15.9deg
 C0/180: @ (25%):12.0deg @ (50%):9.0deg @ (75%):6.7deg @ (10%):15.7deg
 C0/180 Imax = 2739 cd (G=0.0deg) Io = 2739 cd

H(β) Range:-90 - 90DEG
 H(β) Interval: 0.5DEG
 Test Speed: HIGH
 Temperature:25.3DEG
 Operators: Mc.
 Test Date:2014-07-24

V(B) Range:-90 - 90DEG
 V(B) Interval: 0.5DEG
 Test System:EVERFINE GO-2000B_V1 SYSTEM V2.0.285
 Humidity:40%
 Test Distance:5.980m [K=1.0000]
 Remarks:

Shenzhen Baikang Optical Co.,Ltd.
 Add: B4 Building, Xinjianxing Industrial Park,
 Fengxin Road, Guangming District, Shenzhen
 Mail: 518107
 www.bicomoptics.com

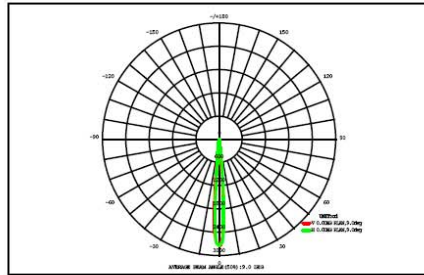
Skype: szbaikang
 Fax: +86 755 82033711
 Phone: +86 755 29199996
 MSN: szbaikang@hotmail.com
 E-mail: sales@bicomoptics.com

XLamp XP-E

I: 0.35A

LUMINAIRE PHOTOMETRIC TEST REPORT

NAME: BK-107W340	TYPE:	WEIGHT: /
SPEC.:	DIM.:	SERIAL No.:
MFR.:	SUR.:	PROTECTION ANGLE: /



DATA OF LAMP		Eff:85.76lm/W	
MODEL	CREE-XPE	Imax (cd)	2740
NOMINAL POWER (W)	1	AVAILABILITY (%)	67.3
RATED VOLTAGE (V)	3	Avai. FLUX (lm)	67.31
NOMINAL FLUX (lm)	100	LOR (%)	90.0
LAMPS INSIDE	1	TOTAL FLUX (lm)	90.05
TEST VOLTAGE (V)	3	θ @50% (H, V)	9,9DEG

VERTICAL (DEG)	AREA FLUX DIAGRAM																UNIT:lm		Φ t	Φ a
	90	80	70	60	50	40	30	20	10	0	10	20	30	40	50	60	70	80		
90	0.00	0.00	0.00	0.00	0.00	0.01	0.01	0.01	0.01	0.01	0.01	0.01	0.01	0.00	0.00	0.00	0.00	0.08	0.00	
80	0.00	0.00	0.00	0.01	0.01	0.01	0.02	0.02	0.02	0.02	0.02	0.02	0.01	0.01	0.01	0.00	0.00	0.18	0.00	
70	0.00	0.00	0.01	0.01	0.02	0.02	0.03	0.03	0.03	0.03	0.03	0.02	0.02	0.01	0.01	0.00	0.00	0.28	0.00	
60	0.00	0.00	0.01	0.01	0.02	0.03	0.03	0.04	0.04	0.04	0.04	0.03	0.03	0.02	0.01	0.01	0.00	0.37	0.00	
50	0.00	0.00	0.01	0.02	0.02	0.03	0.04	0.05	0.05	0.05	0.05	0.04	0.03	0.02	0.02	0.01	0.00	0.45	0.00	
40	0.00	0.00	0.01	0.02	0.03	0.04	0.05	0.06	0.07	0.07	0.06	0.05	0.04	0.03	0.02	0.01	0.00	0.56	0.00	
30	0.00	0.00	0.01	0.02	0.03	0.04	0.07	0.10	0.14	0.14	0.10	0.07	0.04	0.03	0.02	0.01	0.00	0.82	0.00	
20	0.00	0.00	0.01	0.02	0.03	0.05	0.09	0.25	0.76	0.69	0.23	0.09	0.05	0.03	0.02	0.01	0.00	2.36	0.00	
10	0.00	0.01	0.01	0.02	0.03	0.06	0.12	0.89	20.7	17.8	0.60	0.12	0.06	0.03	0.02	0.01	0.01	40.5	34.5	
0	0.00	0.01	0.01	0.02	0.03	0.06	0.12	0.91	20.1	17.1	0.63	0.12	0.06	0.03	0.02	0.01	0.01	39.2	32.8	
-10	0.00	0.00	0.01	0.02	0.03	0.05	0.09	0.24	0.87	0.81	0.23	0.09	0.05	0.03	0.02	0.01	0.00	2.58	0.00	
-20	0.00	0.00	0.01	0.02	0.03	0.04	0.07	0.10	0.13	0.13	0.10	0.06	0.04	0.03	0.02	0.01	0.00	0.82	0.00	
-30	0.00	0.00	0.01	0.02	0.03	0.03	0.04	0.06	0.07	0.07	0.06	0.05	0.04	0.03	0.02	0.01	0.00	0.54	0.00	
-40	0.00	0.00	0.01	0.02	0.02	0.03	0.04	0.04	0.04	0.04	0.04	0.04	0.03	0.02	0.02	0.01	0.00	0.41	0.00	
-50	0.00	0.00	0.01	0.02	0.02	0.03	0.03	0.03	0.04	0.04	0.03	0.03	0.03	0.02	0.01	0.01	0.00	0.35	0.00	
-60	0.00	0.00	0.01	0.01	0.02	0.02	0.03	0.03	0.03	0.03	0.03	0.03	0.02	0.02	0.01	0.01	0.00	0.28	0.00	
-70	0.00	0.00	0.00	0.01	0.01	0.01	0.02	0.02	0.02	0.02	0.02	0.02	0.01	0.01	0.01	0.00	0.00	0.17	0.00	
-80	0.00	0.00	0.00	0.00	0.00	0.01	0.01	0.01	0.01	0.01	0.01	0.01	0.01	0.00	0.00	0.00	0.00	0.07	0.00	
-90	0.00	0.00	0.00	0.00	0.00	0.00	0.00	0.00	0.00	0.00	0.00	0.00	0.00	0.00	0.00	0.00	0.00	0.00	0.00	
Φ t	0.01	0.06	0.15	0.26	0.39	0.56	0.90	2.87	43.1	37.1	2.27	0.89	0.57	0.40	0.27	0.15	0.06	0.01	90	
Φ a	0.00	0.00	0.00	0.00	0.00	0.00	0.00	0.00	36.6	30.7	0.00	0.00	0.00	0.00	0.00	0.00	0.00	---	67	

one-half-peak spread: U:4.3,D:4.7 , L:4.9,R:4.1 NEMA Beam Type: Type 1

H(β) Range:-90 - 90DEG
H(β) Interval: 0.5DEG
Test Speed: HIGH
Temperature:25.3DEG
Operators: _____ MC.
Test Date:2014-07-24

V(B) Range:-90 - 90DEG
V(B) Interval: 0.5DEG
Test System:EVERFINE GO-2000B_V1 SYSTEM V2.0.285
Humidity:40%
Test Distance:5.980m [K=1.0000]
Remarks:

Shenzhen Baikang Optical Co.,Ltd.
Add: B4 Building, Xinjianxing Industrial Park,
Fengxin Road, Guangming District, Shenzhen
Mail: 518107
www.bicomoptics.com

Skype: szbaikang
Fax: +86 755 82033711
Phone: +86 755 29199996
MSN: szbaikang@hotmail.com
E-mail: sales@bicomoptics.com