



深圳市百康光电有限公司

Bicom Optics

规格书 SPECIFICATION

品 名

Description: LED Lens

型 号

Part No.: BK-LED-1730ZZ


材 料

Material: PMMA

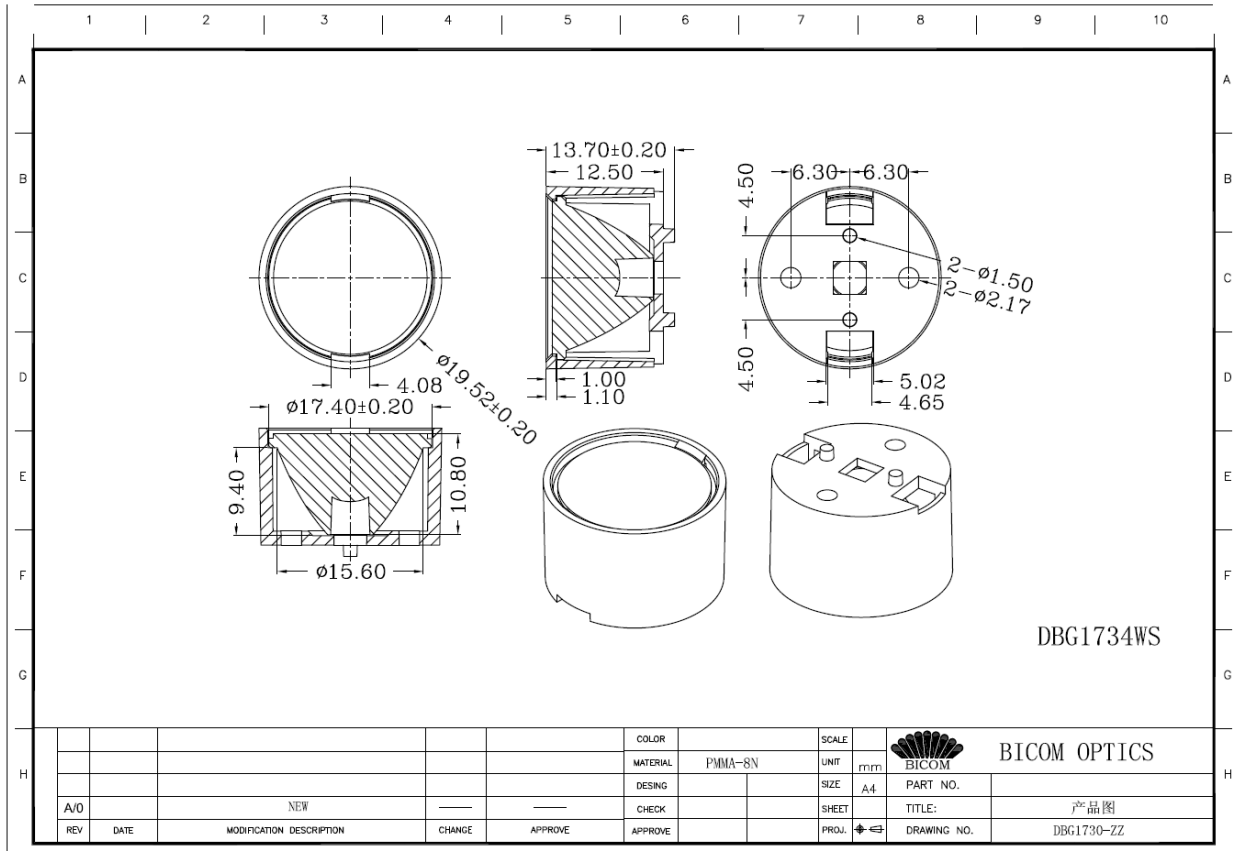
Made by: Ann

透 镜 规 格

Lens Spec.

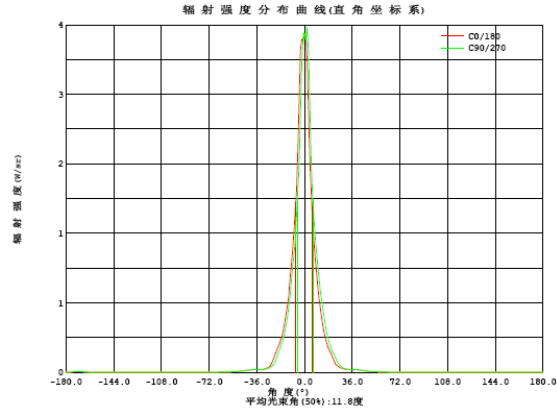
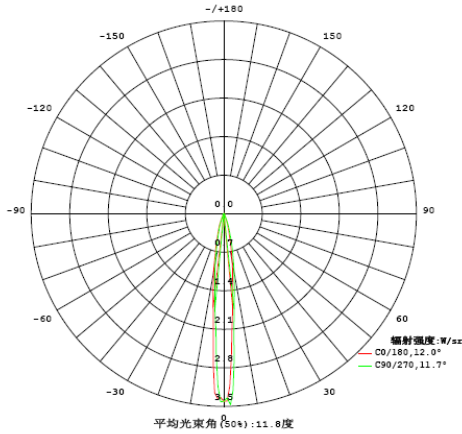
产品型号 Part Number	产品图片 Picture	产品尺寸 Dimension	适配 LED 种类 LED type	角度 Angle
BK-LED-1730ZZ		直径 Dia: $\Phi 19.52\text{mm}$ 高度 Height: 13.70mm	OSRAM 4715	11.8°

尺寸图 Drawing





光学检验报告 Optical Test Report



辐射强度数据: (角度°, 强度W/sr) C0/180

角度	强度	角度	强度	角度	强度	角度	强度	角度	强度	角度	强度
-180.0	0.0000	-117.0	0.0001	-54.0	0.0053	9.0	1.0111	72.0	0.0019	135.0	0.0000
-177.0	0.0028	-114.0	0.0002	-51.0	0.0079	12.0	0.6425	75.0	0.0016	138.0	0.0001
-174.0	0.0057	-111.0	0.0002	-48.0	0.0122	15.0	0.3845	78.0	0.0013	141.0	0.0001
-171.0	0.0059	-108.0	0.0003	-45.0	0.0171	18.0	0.2438	81.0	0.0010	144.0	0.0001
-168.0	0.0049	-105.0	0.0003	-42.0	0.0223	21.0	0.1579	84.0	0.0007	147.0	0.0001
-165.0	0.0035	-102.0	0.0003	-39.0	0.0262	24.0	0.0726	87.0	0.0005	150.0	0.0001
-162.0	0.0024	-99.0	0.0004	-36.0	0.0268	27.0	0.0460	90.0	0.0004	153.0	0.0001
-159.0	0.0017	-96.0	0.0004	-33.0	0.0268	30.0	0.0330	93.0	0.0004	156.0	0.0002
-156.0	0.0012	-93.0	0.0004	-30.0	0.0351	33.0	0.0279	96.0	0.0004	159.0	0.0003
-153.0	0.0008	-90.0	0.0004	-27.0	0.0516	36.0	0.0281	99.0	0.0003	162.0	0.0004
-150.0	0.0006	-87.0	0.0006	-24.0	0.1169	39.0	0.0270	102.0	0.0003	165.0	0.0007
-147.0	0.0004	-84.0	0.0008	-21.0	0.2219	42.0	0.0218	105.0	0.0003	168.0	0.0009
-144.0	0.0003	-81.0	0.0011	-18.0	0.3269	45.0	0.0156	108.0	0.0002	171.0	0.0010
-141.0	0.0003	-78.0	0.0013	-15.0	0.4945	48.0	0.0100	111.0	0.0002	174.0	0.0008
-138.0	0.0002	-75.0	0.0017	-12.0	0.7643	51.0	0.0065	114.0	0.0001	177.0	0.0004
-135.0	0.0002	-72.0	0.0020	-9.0	1.2211	54.0	0.0047	117.0	0.0001	180.0	0
-132.0	0.0001	-69.0	0.0023	-6.0	1.8401	57.0	0.0039	120.0	0.0001		
-129.0	0.0001	-66.0	0.0027	-3.0	3.2511	60.0	0.0033	123.0	0.0000		
-126.0	0.0001	-63.0	0.0030	0.0	3.4071	63.0	0.0029	126.0	0.0000		
-123.0	0.0001	-60.0	0.0035	3.0	2.6081	66.0	0.0026	129.0	0.0000		
-120.0	0.0001	-57.0	0.0041	6.0	1.5471	69.0	0.0022	132.0	0.0000		

电学参数:

工作电压: 3.099 V 工作电流: 0.3499 A
电功率: 1.084 W 功率因数: 1.000

光学参数 (测试距离: 1.900m):

总辐射通量: $\Phi_t = 376.87 \text{ mW}$

平均辐射扩散角: $\theta(25\%): 21.6^\circ$ $\theta(50\%): 11.8^\circ$ $\theta(75\%): 7.3^\circ$ $\theta(10\%): 33.5^\circ$

C0/180: $\theta(25\%): 21.5^\circ$ $\theta(50\%): 12.0^\circ$ $\theta(75\%): 7.5^\circ$ $\theta(10\%): 33.4^\circ$

C0/180 $I_{max} = 3.407 \text{ W/sr}$ ($G=0.0^\circ$) $I_o = 3.407 \text{ W/sr}$

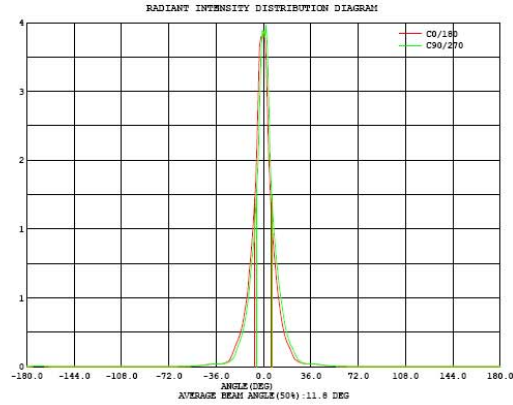
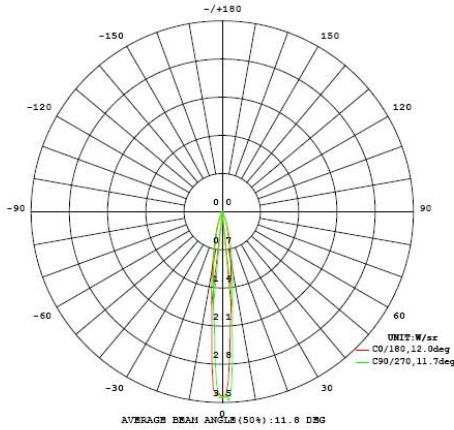
C角度范围: 0度 - 360度
C角度间隔: 90.0度
测试速度: 快速
环境温度: 25°C
测试人员: _____ Mc.
测试日期: 2014-02-13

γ 角度范围: 0度 - 180度
 γ 角度间隔: 1.0度
测试系统: 远方(EVERFINE)GO-R5000_V2系统 V2.0.284
环境湿度: 40%
测试距离: 1.900米 [K=0.6137]
备注:



光学检验报告

Optical Test Report



Intensity data:(deg , W/sr) C0/180

A	I	A	I	A	I	A	I	A	I	A	I
-180.0	0.0000	-117.0	0.0001	-54.0	0.0053	9.0	1.011	72.0	0.0019	135.0	0.0000
-177.0	0.0028	-114.0	0.0002	-51.0	0.0079	12.0	0.6425	75.0	0.0016	138.0	0.0001
-174.0	0.0057	-111.0	0.0002	-48.0	0.0122	15.0	0.3845	78.0	0.0013	141.0	0.0001
-171.0	0.0059	-108.0	0.0003	-45.0	0.0171	18.0	0.2438	81.0	0.0010	144.0	0.0001
-168.0	0.0049	-105.0	0.0003	-42.0	0.0223	21.0	0.1579	84.0	0.0007	147.0	0.0001
-165.0	0.0035	-102.0	0.0003	-39.0	0.0262	24.0	0.0726	87.0	0.0005	150.0	0.0001
-162.0	0.0024	-99.0	0.0004	-36.0	0.0268	27.0	0.0460	90.0	0.0004	153.0	0.0001
-159.0	0.0017	-96.0	0.0004	-33.0	0.0268	30.0	0.0330	93.0	0.0004	156.0	0.0002
-156.0	0.0012	-93.0	0.0004	-30.0	0.0351	33.0	0.0279	96.0	0.0004	159.0	0.0003
-153.0	0.0008	-90.0	0.0004	-27.0	0.0516	36.0	0.0281	99.0	0.0003	162.0	0.0004
-150.0	0.0006	-87.0	0.0006	-24.0	0.1169	39.0	0.0270	102.0	0.0003	165.0	0.0007
-147.0	0.0004	-84.0	0.0008	-21.0	0.2219	42.0	0.0218	105.0	0.0003	168.0	0.0009
-144.0	0.0003	-81.0	0.0011	-18.0	0.3269	45.0	0.0156	108.0	0.0002	171.0	0.0010
-141.0	0.0003	-78.0	0.0013	-15.0	0.4945	48.0	0.0100	111.0	0.0002	174.0	0.0008
-138.0	0.0002	-75.0	0.0017	-12.0	0.7643	51.0	0.0065	114.0	0.0001	177.0	0.0004
-135.0	0.0002	-72.0	0.0020	-9.0	1.221	54.0	0.0047	117.0	0.0001	180.0	0
-132.0	0.0001	-69.0	0.0023	-6.0	1.840	57.0	0.0039	120.0	0.0001		
-129.0	0.0001	-66.0	0.0027	-3.0	3.251	60.0	0.0033	123.0	0.0000		
-126.0	0.0001	-63.0	0.0030	0.0	3.407	63.0	0.0029	126.0	0.0000		
-123.0	0.0001	-60.0	0.0035	3.0	2.608	66.0	0.0026	129.0	0.0000		
-120.0	0.0001	-57.0	0.0041	6.0	1.547	69.0	0.0022	132.0	0.0000		

Electricity Parameter:

Voltage : 3.099 V Current : 0.3499 A
 Power P: 1.084 W Power Factor: 1.000

Optical Parameter(Distance:1.900m):

Radiant flux = 376.87 mW

Avg. Beam angle: @ (25%):21.6deg @ (50%):11.8deg @ (75%):7.3deg @ (10%):33.5deg
 C0/180: @ (25%):21.5deg @ (50%):12.0deg @ (75%):7.5deg @ (10%):33.4deg
 C0/180 I_{max} = 3.407 W/sr (G=0.0deg) I_o = 3.407 W/sr

C Range: 0 - 360DEG
 C Interval: 90.0DEG
 Test Speed: HIGH
 Temperature:25DEG
 Operators: Mc.
 Test Date:2014-02-13

γ Range: 0 - 180DEG
 γ Interval: 1.0DEG
 Test System:EVERFINE GO-R5000_V2 SYSTEM V2.0.284
 Humidity:40%
 Test Distance:1.900m [K=0.6137]
 Remarks:

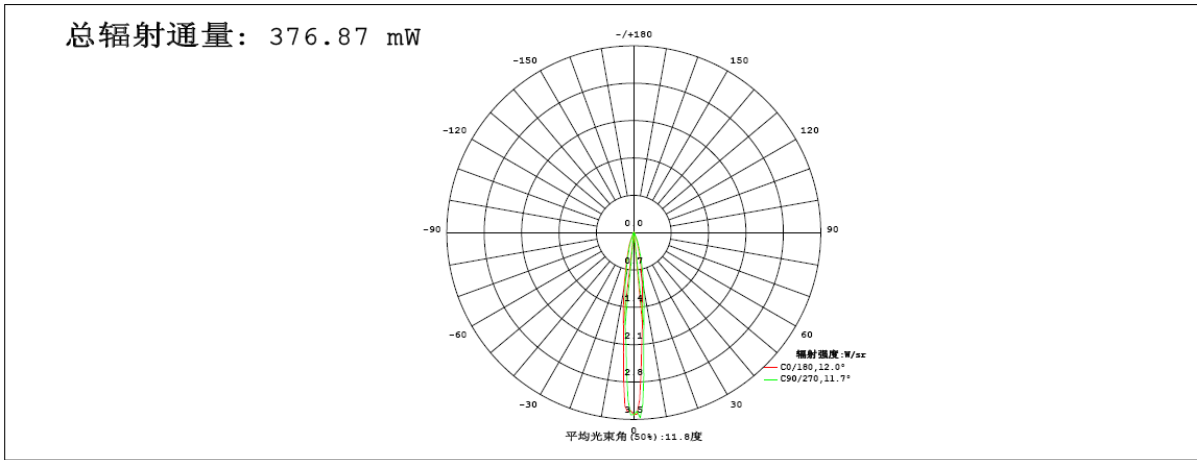


光学检验报告

Optical Test Report

辐射通量测试报告

光源型号: DB1730配1734W		
功率: 1W	电源电压: 3V	额定工作电压: 3V
制造厂商: 深圳市百康光电有限公司		



γ	C0	C90	C180	C270			$\gamma(^{\circ})$	ϕ 环	ϕ 总	%
10	0.8616	1.066	1.072	0.9046			0- 10	0.1620	0.1620	43
20	0.1889	0.2415	0.2544	0.1848			10- 20	0.1312	0.2931	77.8
30	0.0330	0.0391	0.0351	0.0301			20- 30	0.0415	0.3346	88.8
40	0.0257	0.0267	0.0254	0.0251			30- 40	0.0177	0.3523	93.5
50	0.0073	0.0084	0.0094	0.0078			40- 50	0.0126	0.3649	96.8
60	0.0033	0.0033	0.0035	0.0036			50- 60	0.0044	0.3693	98
70	0.0021	0.0021	0.0022	0.0023			60- 70	0.0027	0.3720	98.7
80	0.0011	0.0011	0.0011	0.0012			70- 80	0.0017	0.3738	99.2
90	0.0004	0.0005	0.0004	0.0004			80- 90	0.0008	0.3746	99.4
100	0.0003	0.0004	0.0004	0.0003			90-100	0.0004	0.3750	99.5
110	0.0002	0.0002	0.0002	0.0002			100-110	0.0003	0.3753	99.6
120	0.0001	0.0001	0.0001	0.0001			110-120	0.0001	0.3754	99.6
130	0.0000	0.0000	0.0001	0.0001			120-130	0.0001	0.3755	99.6
140	0.0001	0.0001	0.0002	0.0003			130-140	0.0001	0.3756	99.7
150	0.0001	0.0001	0.0006	0.0006			140-150	0.0001	0.3757	99.7
160	0.0003	0.0003	0.0019	0.0019			150-160	0.0003	0.3760	99.8
170	0.0010	0.0009	0.0057	0.0057			160-170	0.0006	0.3766	99.9
180	0	0	0.0000	0.0000			170-180	0.0003	0.3769	100
单位: $^{\circ}$	辐射强度: W/sr							单位: W		

C角度范围: 0度 - 360度
 C角度间隔: 90.0度
 测试速度: 快速
 环境温度: 25°C
 测试人员: _____ Mc.
 测试日期: 2014-02-13

γ 角度范围: 0度 - 180度
 γ 角度间隔: 1.0度
 测试系统: 远方 (EVERFINE) GO-R5000_V2系统 V2.0.284
 环境湿度: 40%
 测试距离: 1.900米 [K=0.6137]
 备注:

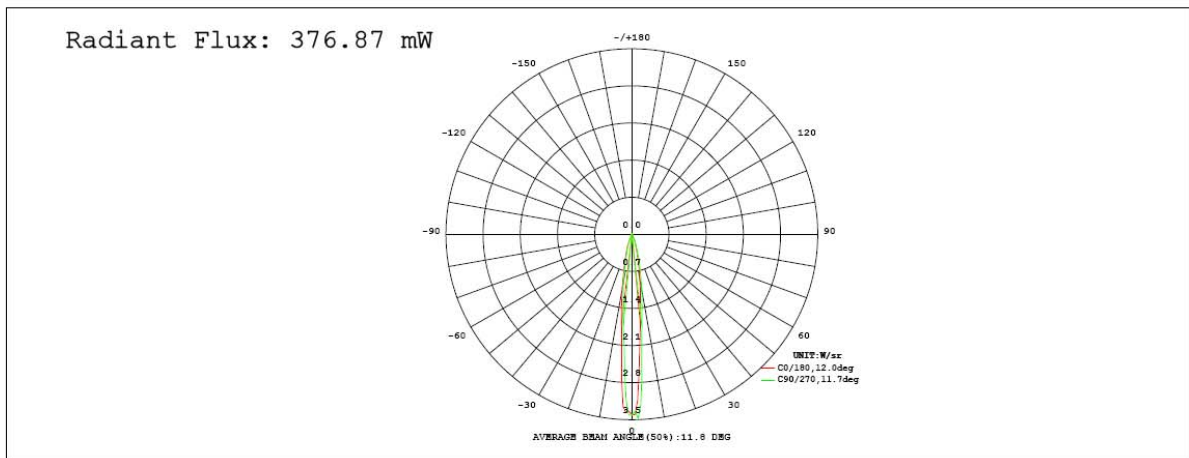


光学检验报告

Optical Test Report

RADIANT FLUX TEST REPORT

MODEL: DB1730配1734W		
POWER: 1W	VOLTAGE: 3V	WORKING VOLTAGE: 3V
MANUFACTURER: 深圳市百康光电有限公司		



γ	C0	C90	C180	C270				γ	Φ zone	Φ total	%
10	0.8616	1.066	1.072	0.9046				0- 10	0.1620	0.1620	43
20	0.1889	0.2415	0.2544	0.1848				10- 20	0.1312	0.2931	77.8
30	0.0330	0.0391	0.0351	0.0301				20- 30	0.0415	0.3346	88.8
40	0.0257	0.0267	0.0254	0.0251				30- 40	0.0177	0.3523	93.5
50	0.0073	0.0084	0.0094	0.0078				40- 50	0.0126	0.3649	96.8
60	0.0033	0.0033	0.0035	0.0036				50- 60	0.0044	0.3693	98
70	0.0021	0.0021	0.0022	0.0023				60- 70	0.0027	0.3720	98.7
80	0.0011	0.0011	0.0011	0.0012				70- 80	0.0017	0.3738	99.2
90	0.0004	0.0005	0.0004	0.0004				80- 90	0.0008	0.3746	99.4
100	0.0003	0.0004	0.0004	0.0003				90-100	0.0004	0.3750	99.5
110	0.0002	0.0002	0.0002	0.0002				100-110	0.0003	0.3753	99.6
120	0.0001	0.0001	0.0001	0.0001				110-120	0.0001	0.3754	99.6
130	0.0000	0.0000	0.0001	0.0001				120-130	0.0001	0.3755	99.6
140	0.0001	0.0001	0.0002	0.0003				130-140	0.0001	0.3756	99.7
150	0.0001	0.0001	0.0006	0.0006				140-150	0.0001	0.3757	99.7
160	0.0003	0.0003	0.0019	0.0019				150-160	0.0003	0.3760	99.8
170	0.0010	0.0009	0.0057	0.0057				160-170	0.0006	0.3766	99.9
180	0	0	0.0000	0.0000				170-180	0.0003	0.3769	100
DEG	INTENSITY:W/sr								UNIT:W		

C Range: 0 - 360DEG
 C Interval: 90.0DEG
 Test Speed: HIGH
 Temperature: 25DEG
 Operators: _____Mc.
 Test Date: 2014-02-13

γ Range: 0 - 180DEG
 γ Interval: 1.0DEG
 Test System: EVERFINE GO-R5000_V2 SYSTEM V2.0.284
 Humidity: 40%
 Test Distance: 1.900m [K=0.6137]
 Remarks: