



深圳市百康光电有限公司

Bicom Optics

规 格 书

SPECIFICATION

品 名

Description: LED Lens

型 号

Part No.: BK-LED-1731ZZ


材 料

Material: PMMA

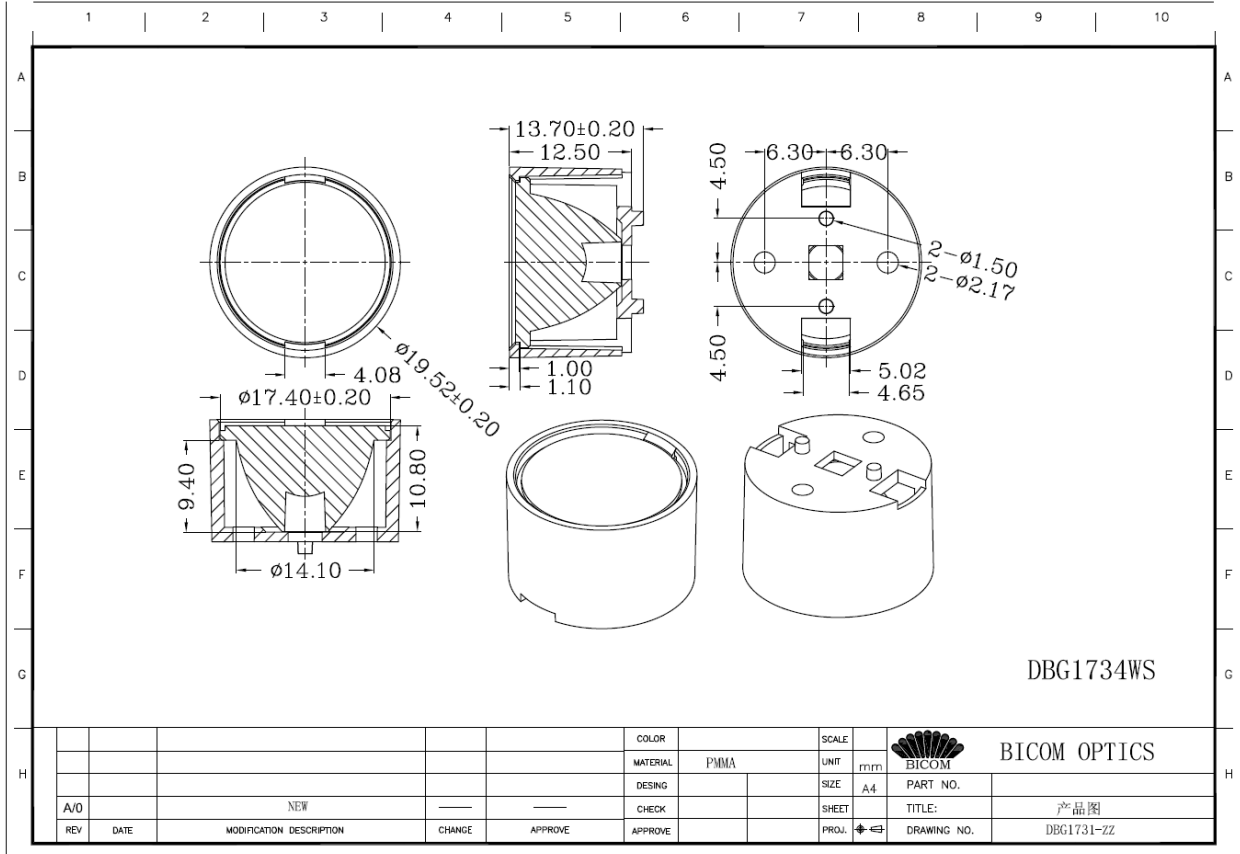
Made by: Ann

透 镜 规 格

Lens Spec.

产品型号 Part Number	产品图片 Picture	产品尺寸 Dimension	适配 LED 种类 LED type	角度 Angle
BK-LED-1731ZZ		直径 Dia: $\Phi 19.52\text{mm}$ 高度 Height: 13.70mm	OSRAM 4715	20.1°

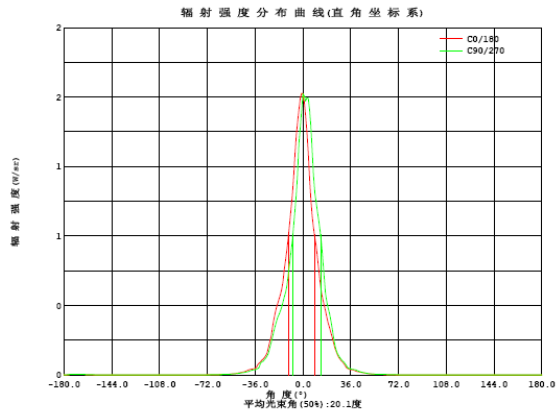
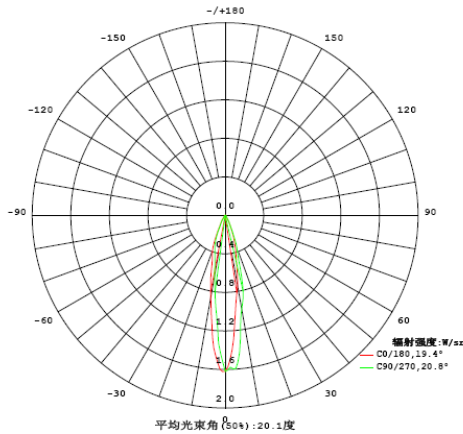
尺寸图 Drawing





光学检验报告

Optical Test Report



辐射强度数据: (角度°, 强度W/sr) C0/180

角度	强度	角度	强度	角度	强度	角度	强度	角度	强度	角度	强度
-180.0	0.0000	-117.0	0.0001	-54.0	0.0051	9.0	0.7884	72.0	0.0014	135.0	0.0000
-177.0	0.0017	-114.0	0.0001	-51.0	0.0080	12.0	0.6050	75.0	0.0012	138.0	0.0001
-174.0	0.0036	-111.0	0.0002	-48.0	0.0119	15.0	0.4344	78.0	0.0010	141.0	0.0001
-171.0	0.0038	-108.0	0.0002	-45.0	0.0169	18.0	0.3336	81.0	0.0008	144.0	0.0001
-168.0	0.0033	-105.0	0.0003	-42.0	0.0242	21.0	0.2450	84.0	0.0006	147.0	0.0001
-165.0	0.0027	-102.0	0.0003	-39.0	0.0328	24.0	0.1587	87.0	0.0004	150.0	0.0002
-162.0	0.0022	-99.0	0.0004	-36.0	0.0373	27.0	0.1007	90.0	0.0004	153.0	0.0002
-159.0	0.0018	-96.0	0.0004	-33.0	0.0681	30.0	0.0755	93.0	0.0004	156.0	0.0003
-156.0	0.0014	-93.0	0.0004	-30.0	0.0918	33.0	0.0400	96.0	0.0003	159.0	0.0004
-153.0	0.0011	-90.0	0.0004	-27.0	0.1253	36.0	0.0307	99.0	0.0003	162.0	0.0006
-150.0	0.0008	-87.0	0.0006	-24.0	0.2197	39.0	0.0257	102.0	0.0003	165.0	0.0007
-147.0	0.0006	-84.0	0.0008	-21.0	0.3528	42.0	0.0181	105.0	0.0003	168.0	0.0007
-144.0	0.0004	-81.0	0.0010	-18.0	0.4373	45.0	0.0134	108.0	0.0002	171.0	0.0006
-141.0	0.0003	-78.0	0.0012	-15.0	0.5352	48.0	0.0091	111.0	0.0002	174.0	0.0005
-138.0	0.0002	-75.0	0.0014	-12.0	0.7261	51.0	0.0060	114.0	0.0001	177.0	0.0002
-135.0	0.0002	-72.0	0.0017	-9.0	0.9475	54.0	0.0040	117.0	0.0001	180.0	0
-132.0	0.0001	-69.0	0.0019	-6.0	1.268	57.0	0.0032	120.0	0.0001		
-129.0	0.0001	-66.0	0.0023	-3.0	1.524	60.0	0.0027	123.0	0.0000		
-126.0	0.0001	-63.0	0.0026	0.0	1.617	63.0	0.0023	126.0	0.0000		
-123.0	0.0001	-60.0	0.0031	3.0	1.396	66.0	0.0020	129.0	0.0000		
-120.0	0.0001	-57.0	0.0038	6.0	1.013	69.0	0.0017	132.0	0.0000		

电学参数:

工作电压: 3.138 V 工作电流: 0.3499 A
 电功率: 1.098 W 功率因数: 1.000

光学参数 (测试距离: 1.900m):

总辐射通量: $\Phi_t = 375.40$ mW

平均辐射扩散角: $\theta(25\%): 34.6^\circ$ $\theta(50\%): 20.1^\circ$ $\theta(75\%): 11.0^\circ$ $\theta(10\%): 49.4^\circ$

C0/180: $\theta(25\%): 35.1^\circ$ $\theta(50\%): 19.4^\circ$ $\theta(75\%): 10.8^\circ$ $\theta(10\%): 49.7^\circ$

C0/180 $I_{max} = 1.621$ W/sr ($G=-1.0^\circ$) $I_o = 1.617$ W/sr

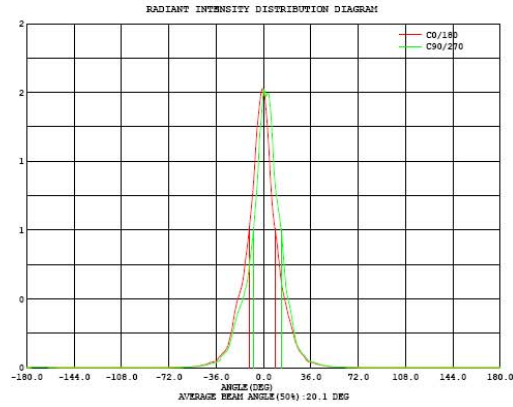
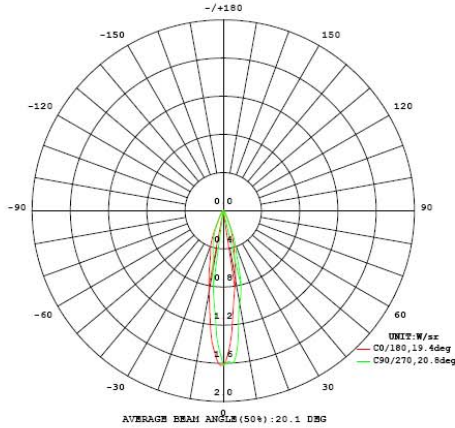
C角度范围: 0度 - 360度
 C角度间隔: 90.0度
 测试速度: 快速
 环境温度: 25°C
 测试人员: _____ Mc.
 测试日期: 2014-02-13

γ 角度范围: 0度 - 180度
 γ 角度间隔: 1.0度
 测试系统: 远方(EVERFINE)GO-R5000_V2系统 V2.0.284
 环境湿度: 40%
 测试距离: 1.900米 [K=0.6137]
 备注:



光学检验报告

Optical Test Report



Intensity data:(deg , W/sr) C0/180

A	I	A	I	A	I	A	I	A	I	A	I
-180.0	0.0000	-117.0	0.0001	-54.0	0.0051	9.0	0.7884	72.0	0.0014	135.0	0.0000
-177.0	0.0017	-114.0	0.0001	-51.0	0.0080	12.0	0.6050	75.0	0.0012	138.0	0.0001
-174.0	0.0036	-111.0	0.0002	-48.0	0.0119	15.0	0.4344	78.0	0.0010	141.0	0.0001
-171.0	0.0038	-108.0	0.0002	-45.0	0.0169	18.0	0.3336	81.0	0.0008	144.0	0.0001
-168.0	0.0033	-105.0	0.0003	-42.0	0.0242	21.0	0.2450	84.0	0.0006	147.0	0.0001
-165.0	0.0027	-102.0	0.0003	-39.0	0.0328	24.0	0.1587	87.0	0.0004	150.0	0.0002
-162.0	0.0022	-99.0	0.0004	-36.0	0.0373	27.0	0.1007	90.0	0.0004	153.0	0.0002
-159.0	0.0018	-96.0	0.0004	-33.0	0.0681	30.0	0.0755	93.0	0.0004	156.0	0.0003
-156.0	0.0014	-93.0	0.0004	-30.0	0.0918	33.0	0.0400	96.0	0.0003	159.0	0.0004
-153.0	0.0011	-90.0	0.0004	-27.0	0.1253	36.0	0.0307	99.0	0.0003	162.0	0.0006
-150.0	0.0008	-87.0	0.0006	-24.0	0.2197	39.0	0.0257	102.0	0.0003	165.0	0.0007
-147.0	0.0006	-84.0	0.0008	-21.0	0.3528	42.0	0.0181	105.0	0.0003	168.0	0.0007
-144.0	0.0004	-81.0	0.0010	-18.0	0.4373	45.0	0.0134	108.0	0.0002	171.0	0.0006
-141.0	0.0003	-78.0	0.0012	-15.0	0.5352	48.0	0.0091	111.0	0.0002	174.0	0.0005
-138.0	0.0002	-75.0	0.0014	-12.0	0.7261	51.0	0.0060	114.0	0.0001	177.0	0.0002
-135.0	0.0002	-72.0	0.0017	-9.0	0.9475	54.0	0.0040	117.0	0.0001	180.0	0
-132.0	0.0001	-69.0	0.0019	-6.0	1.268	57.0	0.0032	120.0	0.0001		
-129.0	0.0001	-66.0	0.0023	-3.0	1.524	60.0	0.0027	123.0	0.0000		
-126.0	0.0001	-63.0	0.0026	0.0	1.617	63.0	0.0023	126.0	0.0000		
-123.0	0.0001	-60.0	0.0031	3.0	1.396	66.0	0.0020	129.0	0.0000		
-120.0	0.0001	-57.0	0.0038	6.0	1.013	69.0	0.0017	132.0	0.0000		

Electricity Parameter:

Voltage : 3.138 V Current : 0.3499 A
 Power P: 1.098 W Power Factor: 1.000

Optical Parameter(Distance:1.900m):

Radiant flux = 375.40 mW

Avg. Beam angle: @ (25%):34.6deg @ (50%):20.1deg @ (75%):11.0deg @ (10%):49.4deg
 C0/180: @ (25%):35.1deg @ (50%):19.4deg @ (75%):10.8deg @ (10%):49.7deg
 C0/180 I_{max} = 1.621 W/sr (G=-1.0deg) I_o = 1.617 W/sr

C Range: 0 - 360DEG
 C Interval: 90.0DEG
 Test Speed: HIGH
 Temperature:25DEG
 Operators: Mc.
 Test Date:2014-02-13

γ Range: 0 - 180DEG
 γ Interval: 1.0DEG
 Test System:EVERFINE GO-R5000_V2 SYSTEM V2.0.284
 Humidity:40%
 Test Distance:1.900m [K=0.6137]
 Remarks:

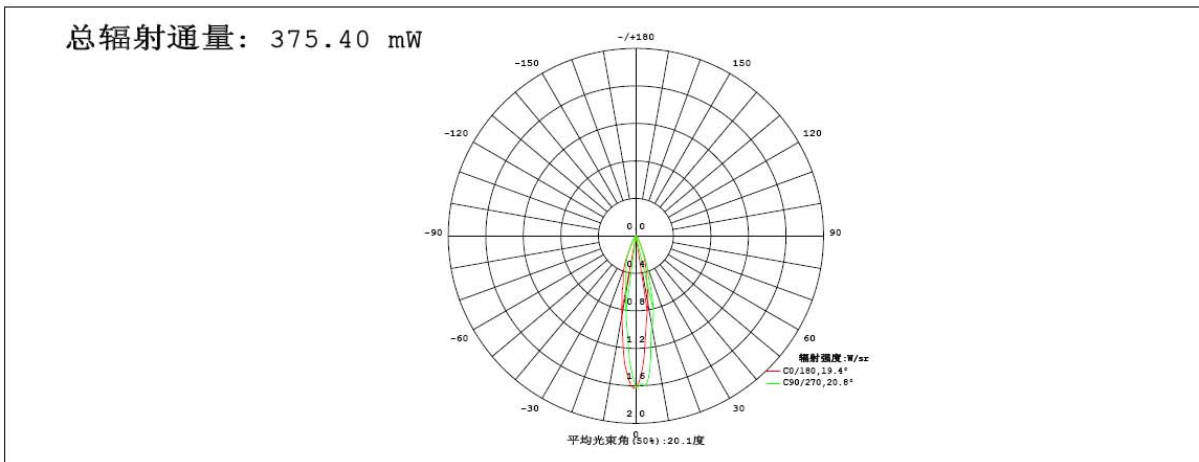


光学检验报告

Optical Test Report

辐射通量测试报告

光源型号: DB1731配1734W		
功率: 1W	电源电压: 3V	额定工作电压: 3V
制造厂商: 深圳市百康光电有限公司		



γ	C0	C90	C180	C270				$\gamma(^{\circ})$	$\phi_{环}$	$\phi_{总}$	%
10	0.7403	0.9921	0.8685	0.6400				0- 10	0.1048	0.1048	27.9
20	0.2729	0.3545	0.3862	0.3052				10- 20	0.1436	0.2484	66.2
30	0.0755	0.0791	0.0918	0.0783				20- 30	0.0778	0.3262	86.9
40	0.0218	0.0286	0.0308	0.0227				30- 40	0.0273	0.3535	94.2
50	0.0069	0.0074	0.0091	0.0077				40- 50	0.0116	0.3651	97.2
60	0.0027	0.0029	0.0031	0.0028				50- 60	0.0040	0.3691	98.3
70	0.0016	0.0018	0.0018	0.0016				60- 70	0.0022	0.3713	98.9
80	0.0008	0.0010	0.0010	0.0008				70- 80	0.0014	0.3726	99.3
90	0.0004	0.0004	0.0004	0.0004				80- 90	0.0007	0.3733	99.4
100	0.0003	0.0003	0.0003	0.0003				90-100	0.0004	0.3737	99.5
110	0.0002	0.0002	0.0002	0.0002				100-110	0.0003	0.3740	99.6
120	0.0001	0.0001	0.0001	0.0001				110-120	0.0001	0.3741	99.6
130	0.0000	0.0000	0.0001	0.0001				120-130	0.0001	0.3741	99.7
140	0.0001	0.0001	0.0003	0.0003				130-140	0.0001	0.3742	99.7
150	0.0002	0.0001	0.0008	0.0008				140-150	0.0002	0.3744	99.7
160	0.0005	0.0004	0.0019	0.0019				150-160	0.0004	0.3748	99.8
170	0.0007	0.0006	0.0037	0.0037				160-170	0.0005	0.3752	100
180	0	0	0.0000	0.0000				170-180	0.0002	0.3754	100
单位: $^{\circ}$	辐射强度: W/sr								单位: W		

C角度范围: 0度 - 360度
 C角度间隔: 90.0度
 测试速度: 快速
 环境温度: 25°C
 测试人员: _____ Mc.
 测试日期: 2014-02-13

γ 角度范围: 0度 - 180度
 γ 角度间隔: 1.0度
 测试系统: 远方 (EVERFINE) GO-R5000_V2系统 V2.0.284
 环境湿度: 40%
 测试距离: 1.900米 [K=0.6137]
 备注:

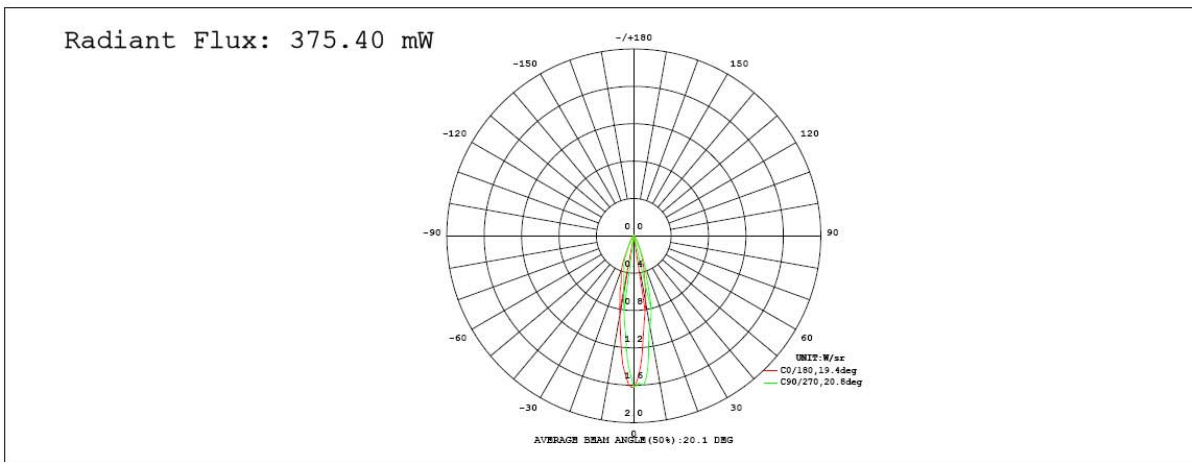


光学检验报告

Optical Test Report

RADIANT FLUX TEST REPORT

MODEL: DB1731配1734W		
POWER: 1W	VOLTAGE: 3V	WORKING VOLTAGE: 3V
MANUFACTURER: 深圳市百康光电有限公司		



γ	C0	C90	C180	C270					γ	Φ zone	Φ total	%
10	0.7403	0.9921	0.8685	0.6400					0- 10	0.1048	0.1048	27.9
20	0.2729	0.3545	0.3862	0.3052					10- 20	0.1436	0.2484	66.2
30	0.0755	0.0791	0.0918	0.0783					20- 30	0.0778	0.3262	86.9
40	0.0218	0.0286	0.0308	0.0227					30- 40	0.0273	0.3535	94.2
50	0.0069	0.0074	0.0091	0.0077					40- 50	0.0116	0.3651	97.2
60	0.0027	0.0029	0.0031	0.0028					50- 60	0.0040	0.3691	98.3
70	0.0016	0.0018	0.0018	0.0016					60- 70	0.0022	0.3713	98.9
80	0.0008	0.0010	0.0010	0.0008					70- 80	0.0014	0.3726	99.3
90	0.0004	0.0004	0.0004	0.0004					80- 90	0.0007	0.3733	99.4
100	0.0003	0.0003	0.0003	0.0003					90-100	0.0004	0.3737	99.5
110	0.0002	0.0002	0.0002	0.0002					100-110	0.0003	0.3740	99.6
120	0.0001	0.0001	0.0001	0.0001					110-120	0.0001	0.3741	99.6
130	0.0000	0.0000	0.0001	0.0001					120-130	0.0001	0.3741	99.7
140	0.0001	0.0001	0.0003	0.0003					130-140	0.0001	0.3742	99.7
150	0.0002	0.0001	0.0008	0.0008					140-150	0.0002	0.3744	99.7
160	0.0005	0.0004	0.0019	0.0019					150-160	0.0004	0.3748	99.8
170	0.0007	0.0006	0.0037	0.0037					160-170	0.0005	0.3752	100
180	0	0	0.0000	0.0000					170-180	0.0002	0.3754	100
DEG	INTENSITY:W/sr							UNIT:W				

C Range: 0 - 360DEG
 C Interval: 90.0DEG
 Test Speed: HIGH
 Temperature: 25DEG
 Operators: _____ Mc.
 Test Date: 2014-02-13

γ Range: 0 - 180DEG
 γ Interval: 1.0DEG
 Test System: EVERFINE GO-R5000_V2 SYSTEM V2.0.284
 Humidity: 40%
 Test Distance: 1.900m [K=0.6137]
 Remarks: